

KOOLAIR



Linear diffuser



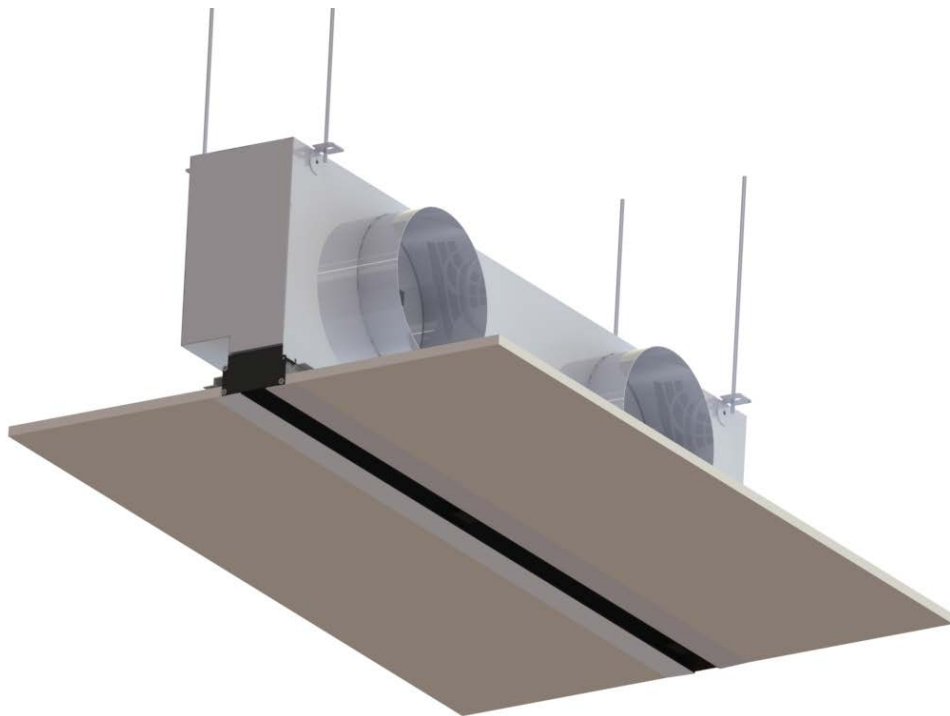
DF-LIT-E 3.0

Mounting
instructions

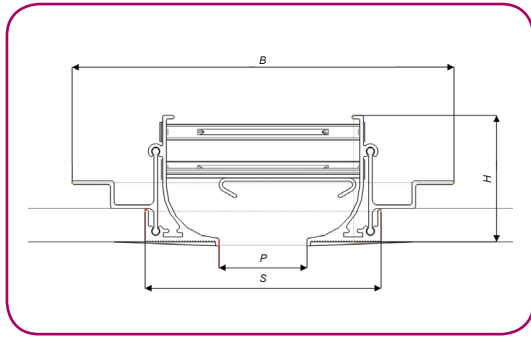
www.koolair.com

Hidden linear slot diffuser DF-LIT-E 3.0

Mounting instructions



DF-LIT-E 3.0 Mounting instructions



Description

KOOLAIR model DF-LIT-E 3.0 hidden linear slot diffuser for installation in suspended plaster or panel drywall ceilings. Characterised by its lack of visible profile, by being virtually unnoticeable and by its suitability for flush installation while providing a high degree of aesthetics. Option of manufacturing with different slot widths depending on the required supply or return flow rate per linear metre.

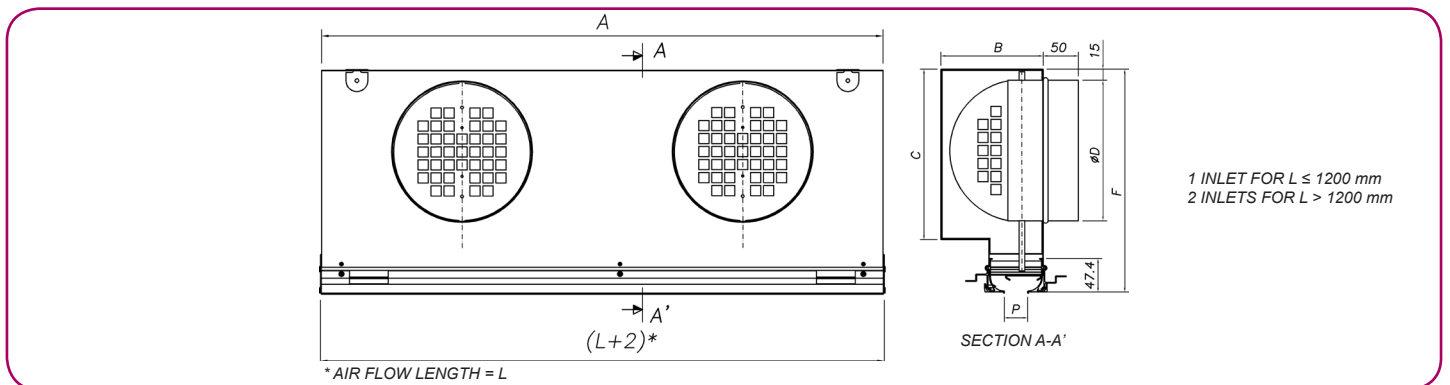
Materials

Extruded aluminium diffuser.

Finishes

RAL-9005 (other finishes consult).

P (mm)	S (mm)	B (mm)	H (mm)
15	70,5	125,5	47,4
20	75,5	130,5	47,4
33	88,5	143,5	47,4
40	95,5	150,5	47,4

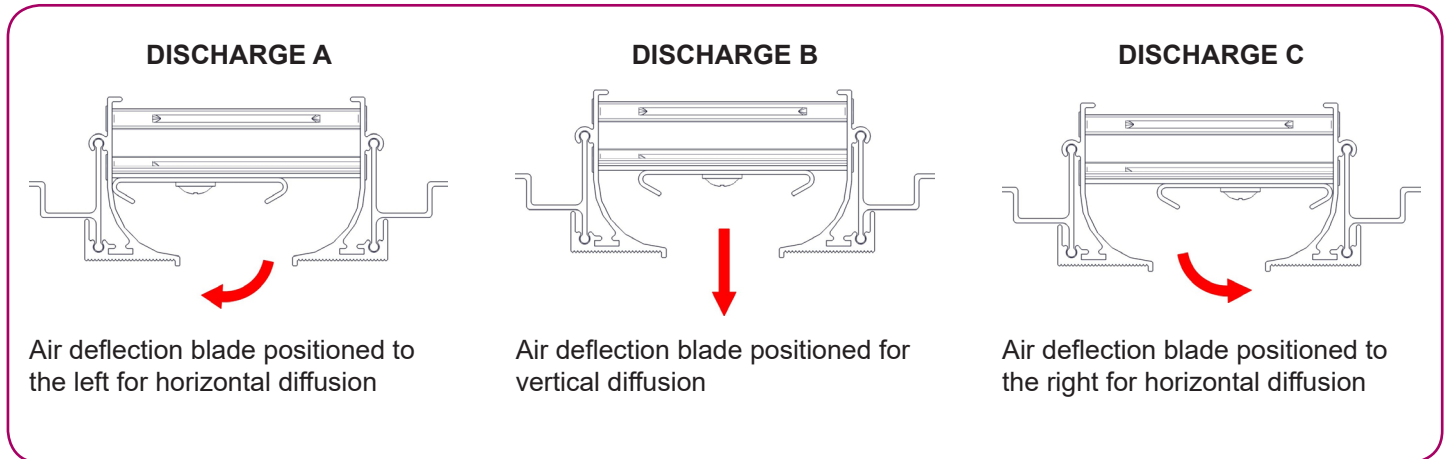


OPENING SIZE	NOMINAL	L	A	B	Ø D	C	F	No. OF INLETS
15	600	600	598	127,2	125	166,2	240,3	1
	1000	1000	998					
	1200	1200	1198					
	1500	1500	1498					2
	1800	1800	1798					
	2000	2000	1998					
20	600	600	598	132,2	160	201,2	275,3	1
	1000	1000	998					
	1200	1200	1198					
	1500	1500	1498					2
	1800	1800	1798					
	2000	2000	1998					
33	600	600	598	145,2	160	201,2	275,3	1
	1000	1000	998					
	1200	1200	1198					
	1500	1500	1498					2
	1800	1800	1798					
	2000	2000	1998					
40	600	600	598	152,2	200	241,2	315,3	1
	1000	1000	998					
	1200	1200	1198					
	1500	1500	1498					2
	1800	1800	1798					
	2000	2000	1998					

DF-LIT-E 3.0

Mounting instructions

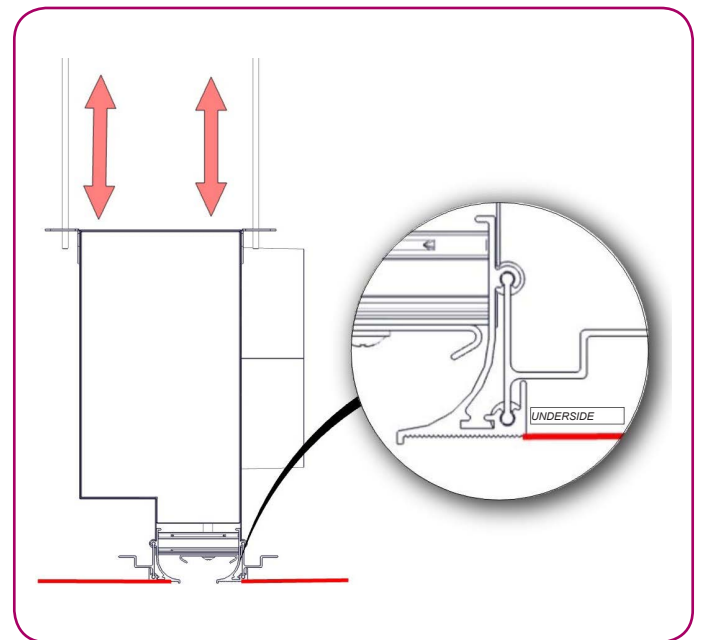
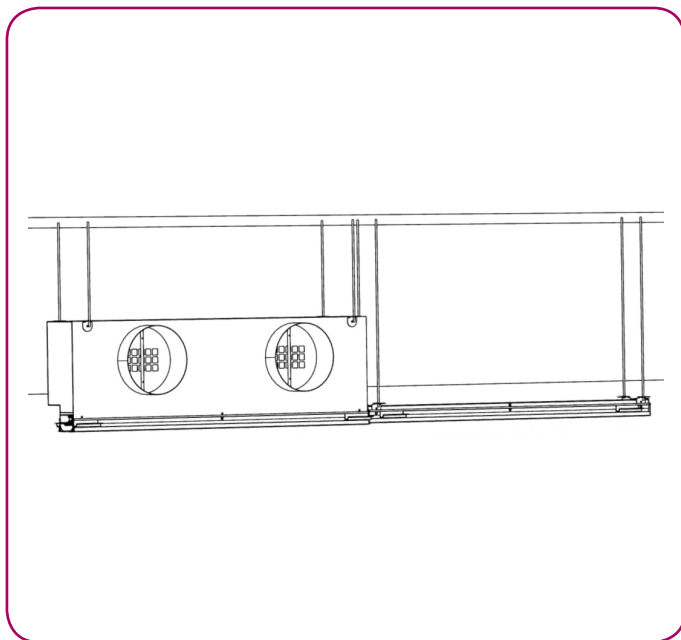
AIR DEFLECTION



OPTION A: MOUNTING IN OPEN CEILING (DIFFUSER AND DIFFUSER + PLENUM)

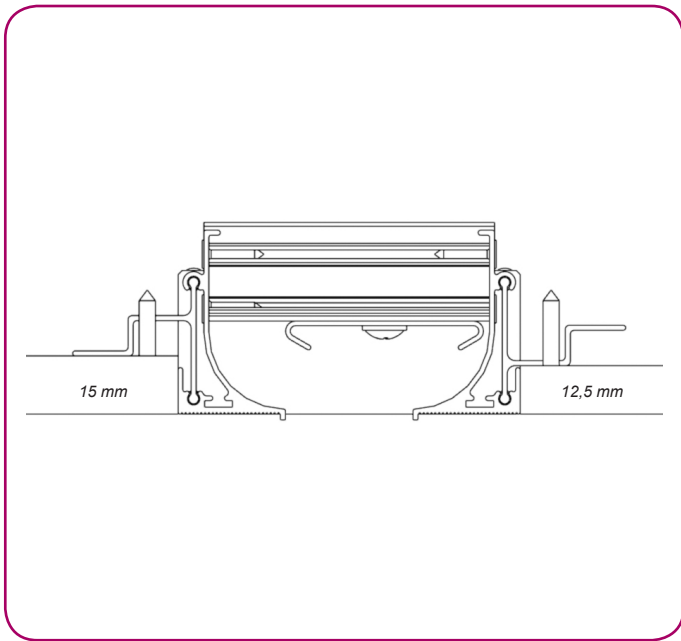
1.- Hang diffuser or diffuser + plenum assembly from soffit using threaded rods anchored to upper slab.

2.- Use the threaded rods to adjust the height of the assembly so that the lower edge of the diffuser is level with the underside of the ceiling.

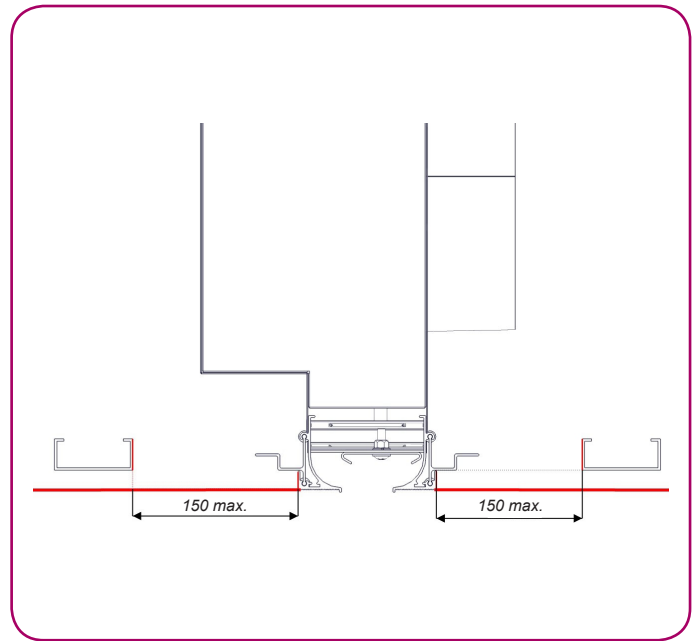


DF-LIT-E 3.0 Mounting instructions

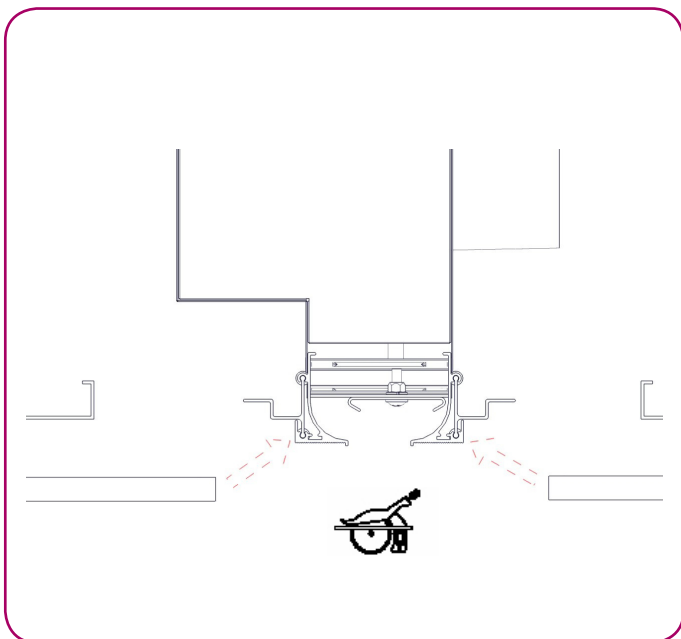
3.- The mounting/line fixing profile allows the diffuser to rest on tiles of 12.5 mm and 15 mm.



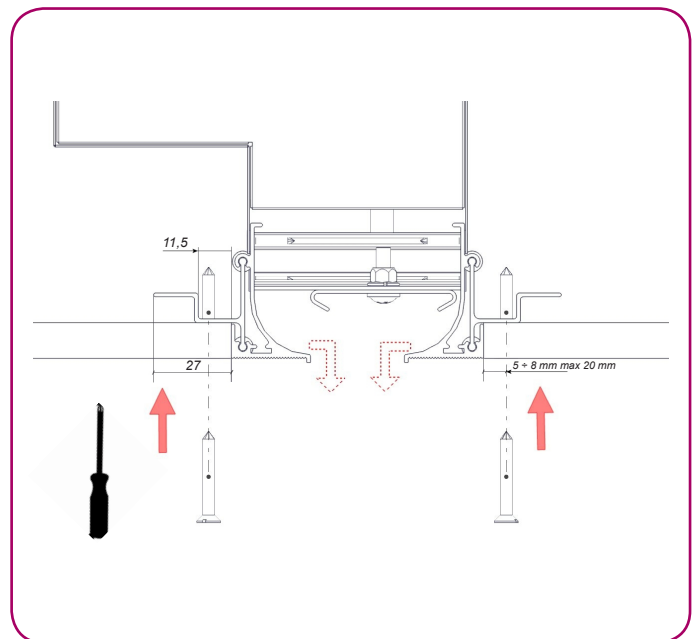
4.- It is recommended that the secondary structure be placed at a maximum distance of 150 mm from the outside edge of the diffuser.



5.- Cut the sheet of plasterboard in two and place the sheets against the diffuser and its fixing/line formation profile.



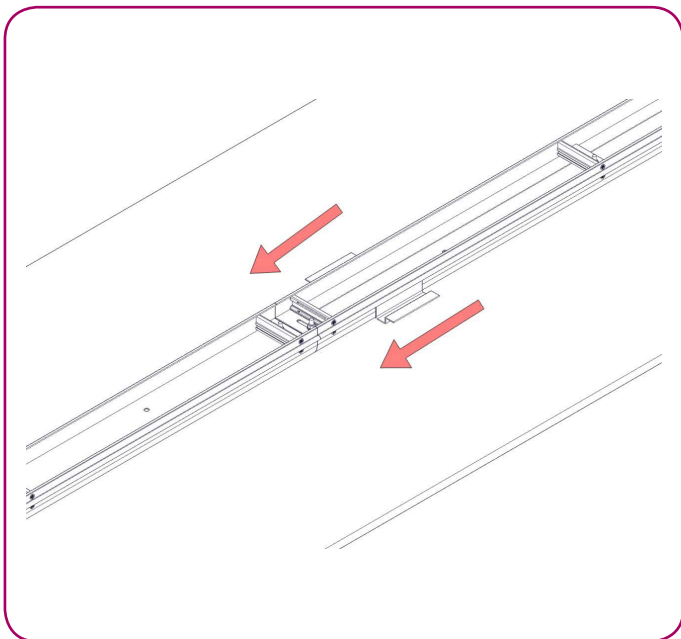
6.- Push the diffuser lightly downwards and screw the sheets to the fixing profile.



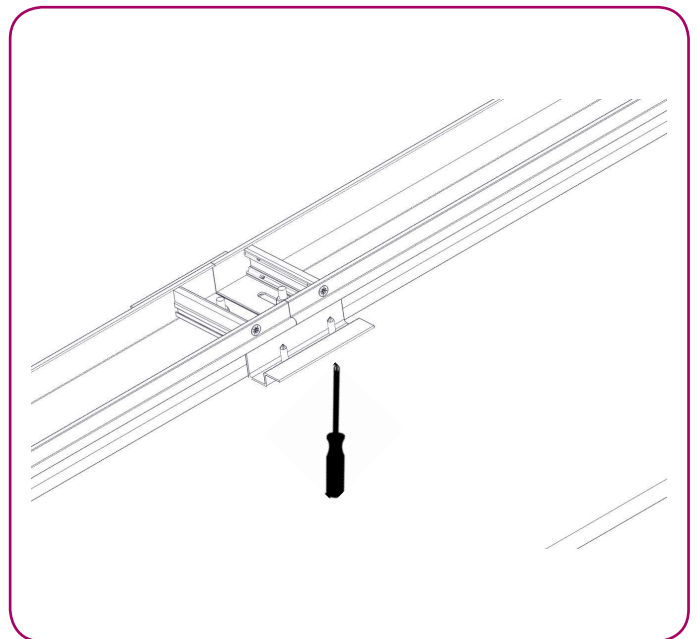
DF-LIT-E 3.0

Mounting instructions

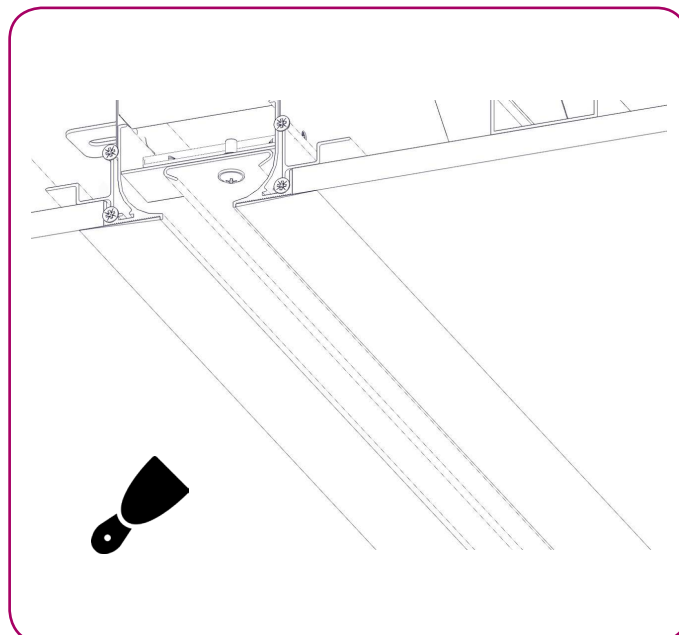
7.- Offer up the other diffusers that will be installed in line. Slide the fixing/line formation profile until it overlaps and is therefore correctly aligned. Diffusers provided with a cover should be mounted at the ends of the line.



8.- Once both diffusers have been aligned using the fixing profile, secure with self-tapping screws.

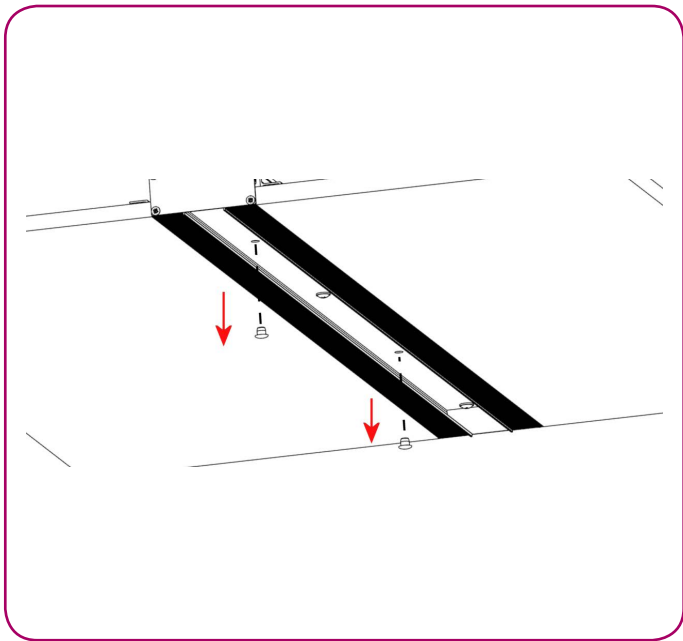


9.- Plaster over the bottom surface of the diffuser where it meets the plasterboard, then tape over the plastered surface and finish with thin paste.

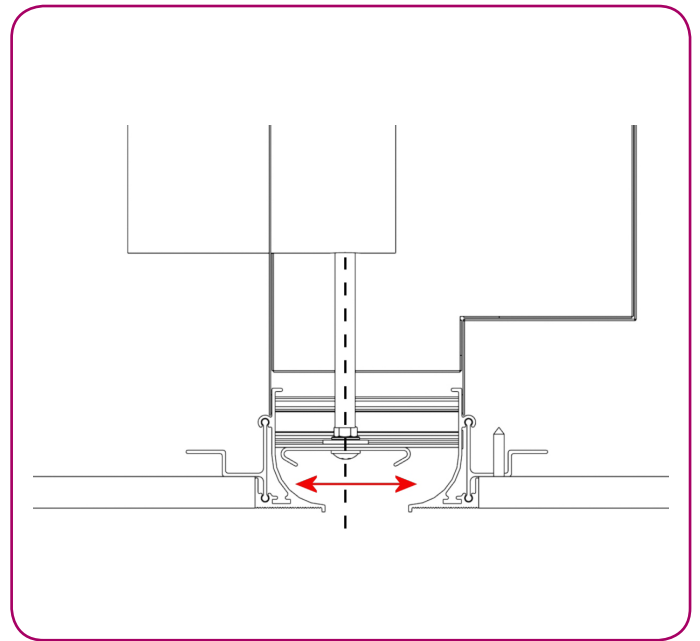


DF-LIT-E 3.0 Mounting instructions

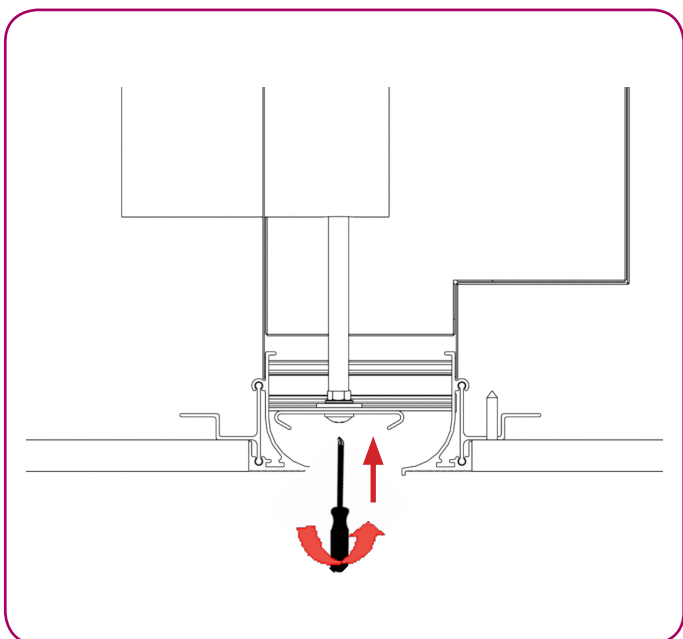
10.- Regulating device accessible from below.
Remove the plugs on the blade by hand.



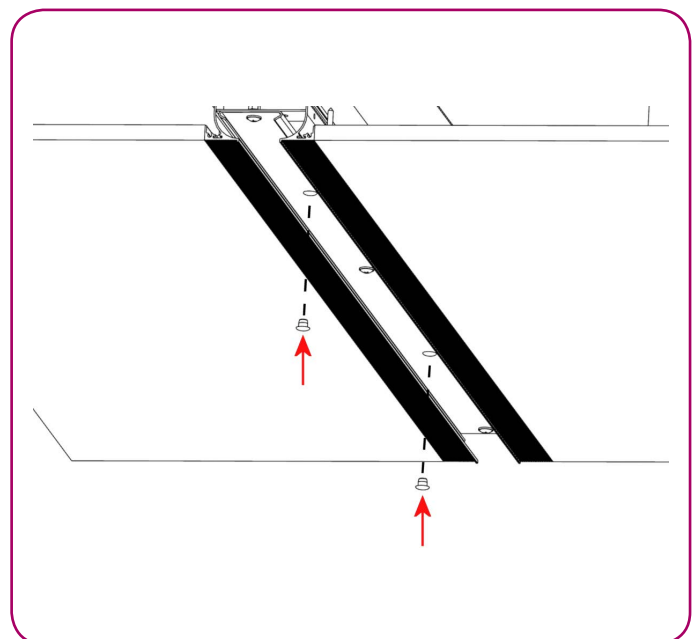
11.- Move the blade until the hole in the blade is aligned with the regulating rod.



12.- Insert a screwdriver through the hole in the blade and turn the regulating rod until the valve is set in the desired position.



13.- Replace the plugs in the valve regulating holes.

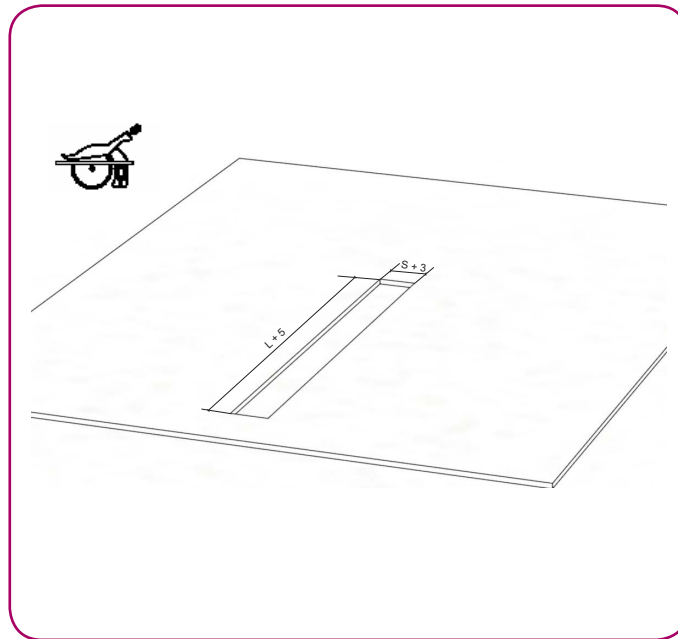


DF-LIT-E 3.0

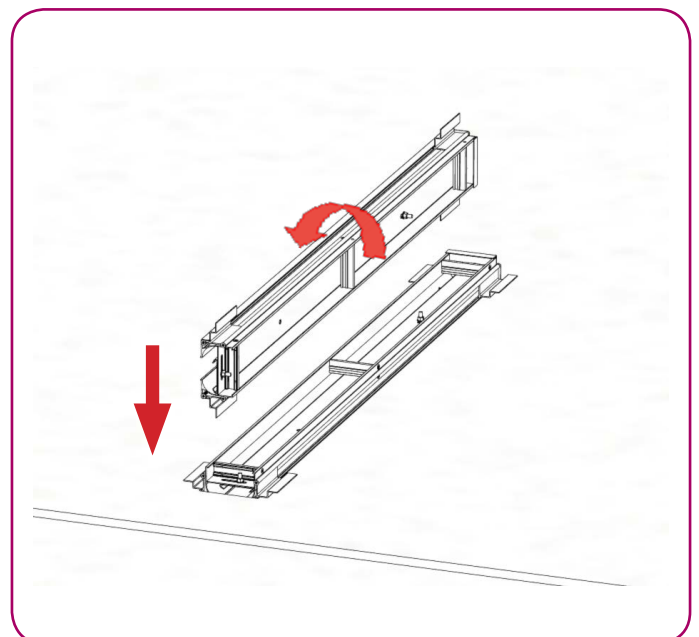
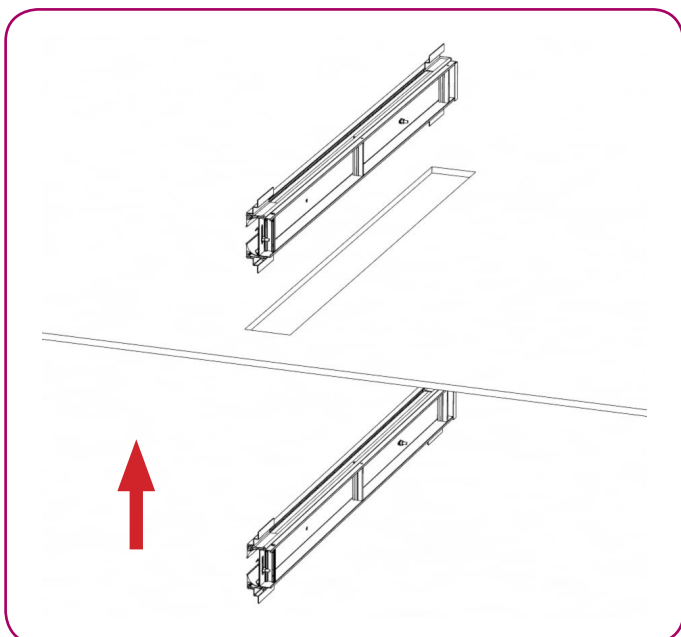
Mounting instructions

OPTION B: MOUNTING IN CLOSED CEILING (DIFFUSER)

1.- Cut a hole in the plasterboard. Dimensions $(S+3) \times (L+5)$



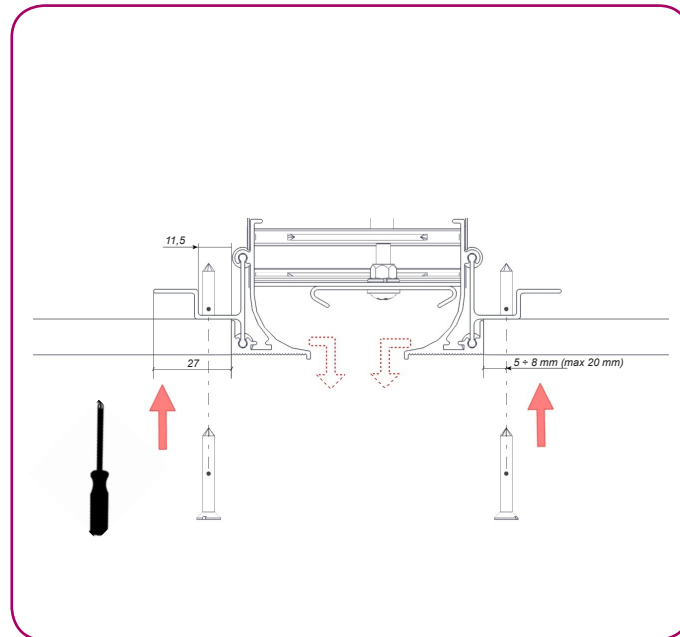
2.- Turn the diffuser and raise it through the hole. Once through the plasterboard, turn back to horizontal and lower it so that it rests on the plasterboard.



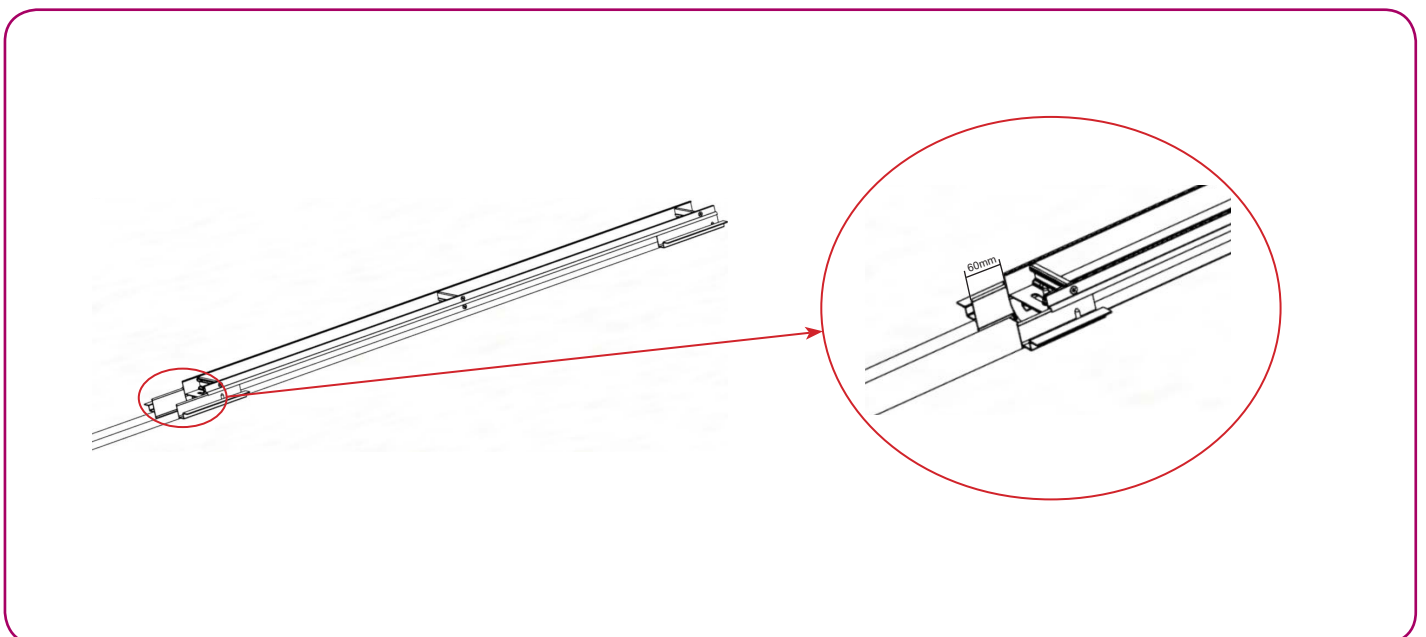
DF-LIT-E 3.0

Mounting instructions

3.- Push the diffuser lightly downwards and screw the sheets to the fixing profile.



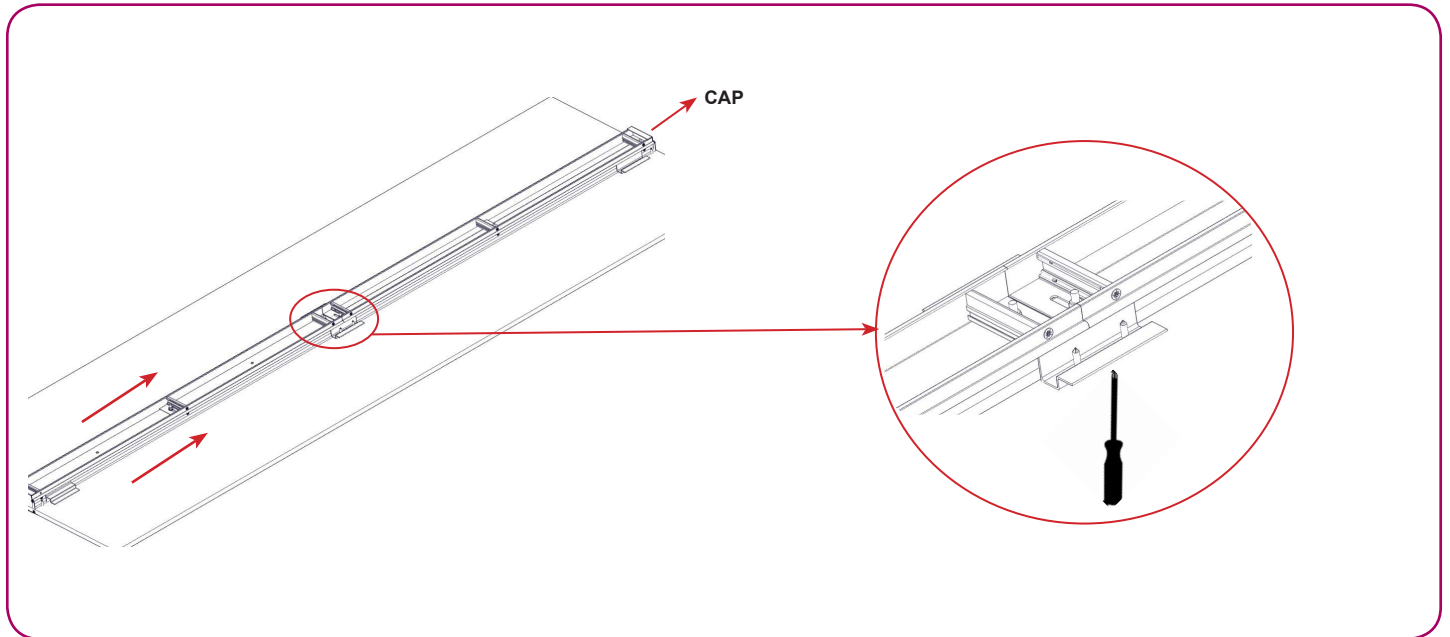
4.- When installing in lines, the fixing profile should be extended approximately 60 mm out from the end of the diffuser.



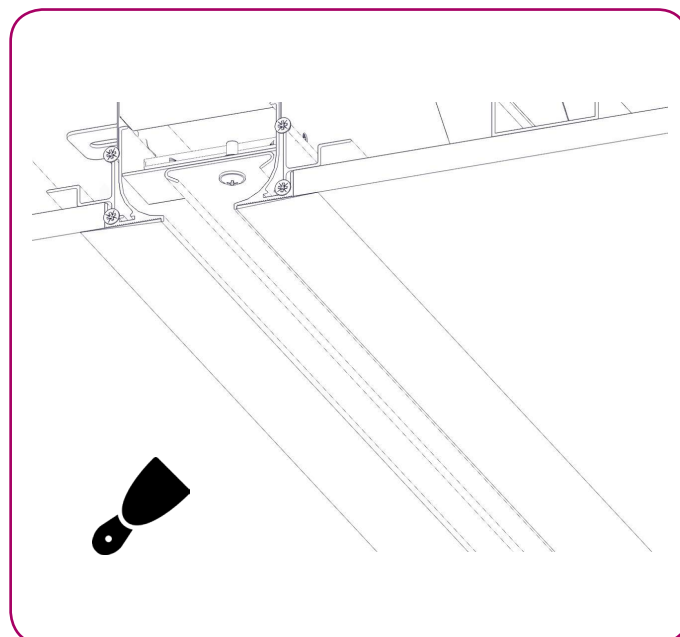
DF-LIT-E 3.0

Mounting instructions

5.- Offer up the next diffuser and align using the fixing profile. Secure to the plasterboard using screws as in step 3 and 4.



6.- Plaster over the bottom surface of the diffuser where it meets the plasterboard, then tape over the plastered surface and finish with thin paste.

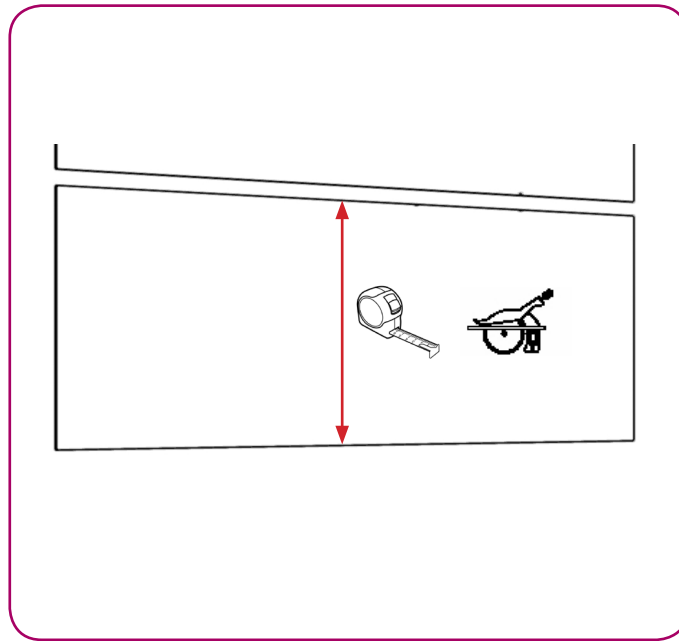


DF-LIT-E 3.0

Mounting instructions

OPTION C: WALL MOUNTING (DIFFUSER+PLENUM)

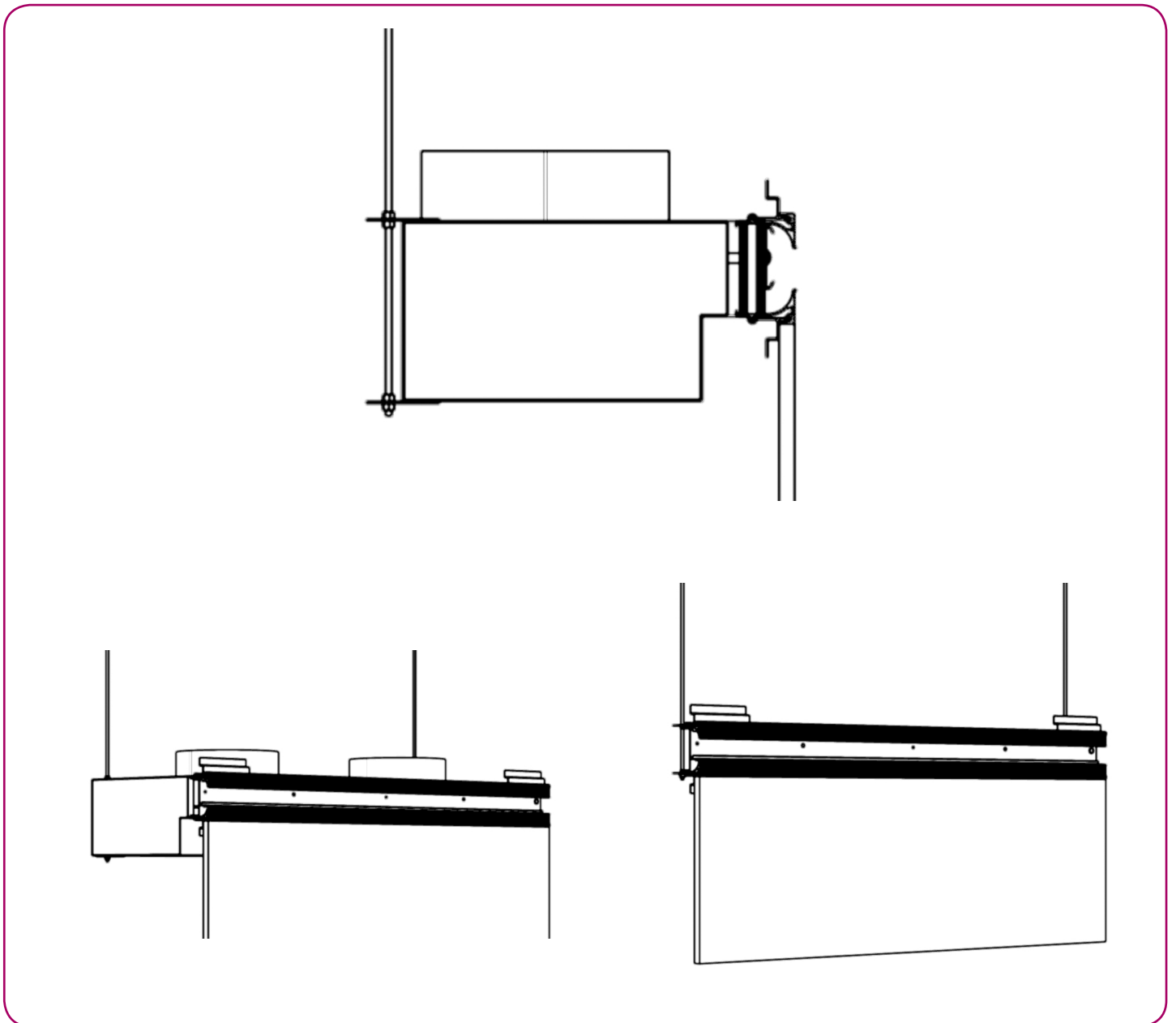
1.- Mark the position of the diffuser on the wall and cut plasterboard to the desired height.



DF-LIT-E 3.0

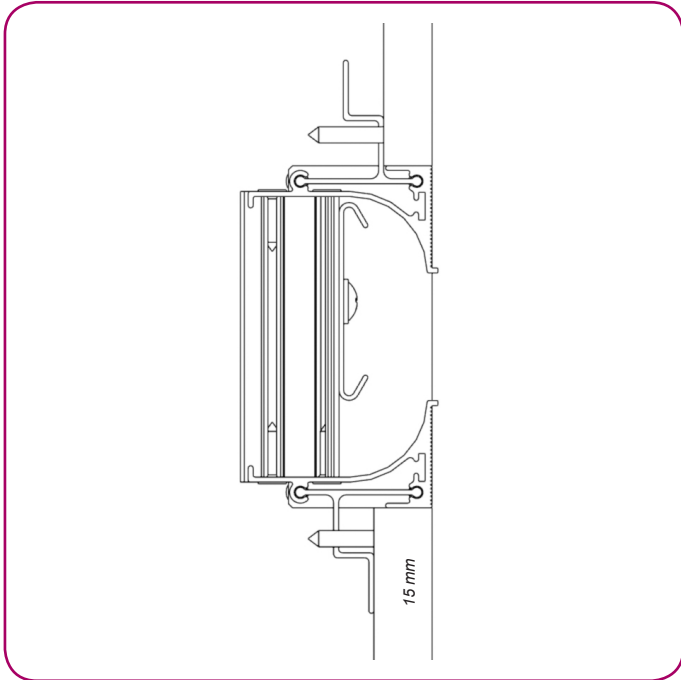
Mounting instructions

2.- Support diffuser on plasterboard as shown in the figure. If a plenum is used, fasten it using threaded drop rods and lugs at the rear of the plenum.

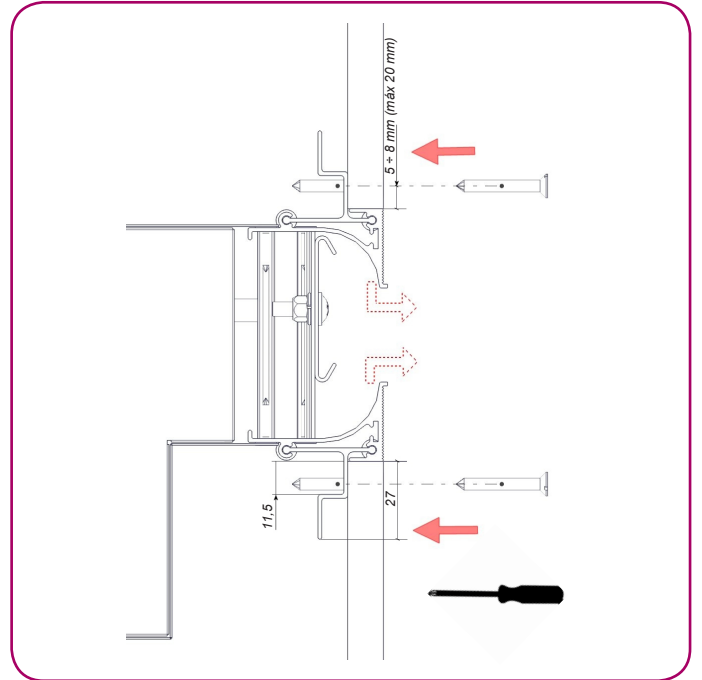


DF-LIT-E 3.0 Mounting instructions

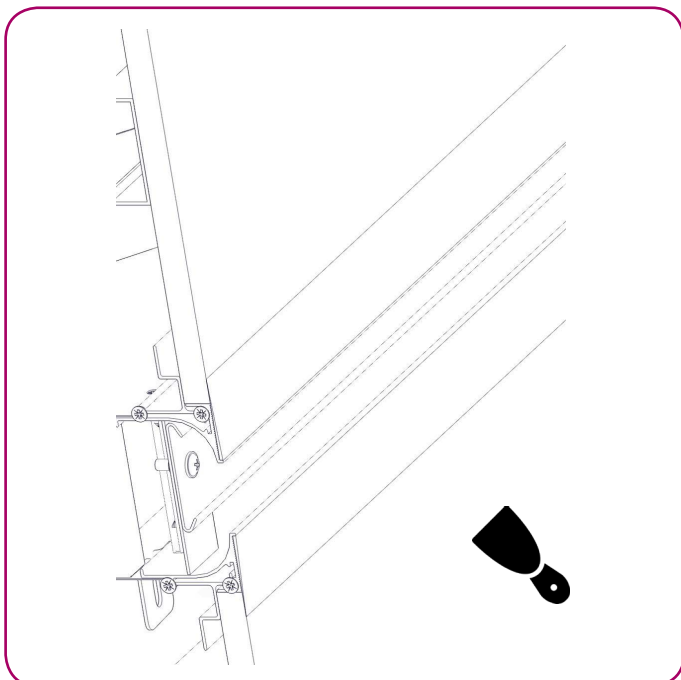
3.- The mounting/line formation frame allows the diffuser to be supported in 12.5 and 15 mm thick plasterboard.



4.- Gently support the diffuser and screw plasterboard to the mounting frame.



5.- Tape the lower surface of the diffuser for subsequent filling with a thick paste. Finish with a fine paste.



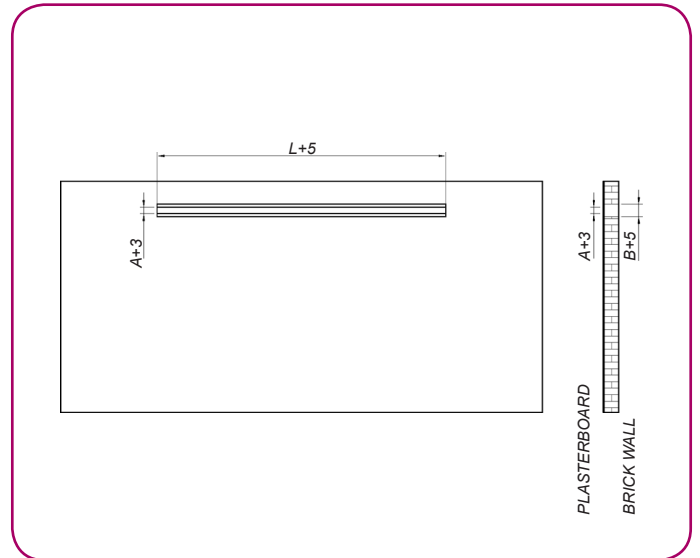
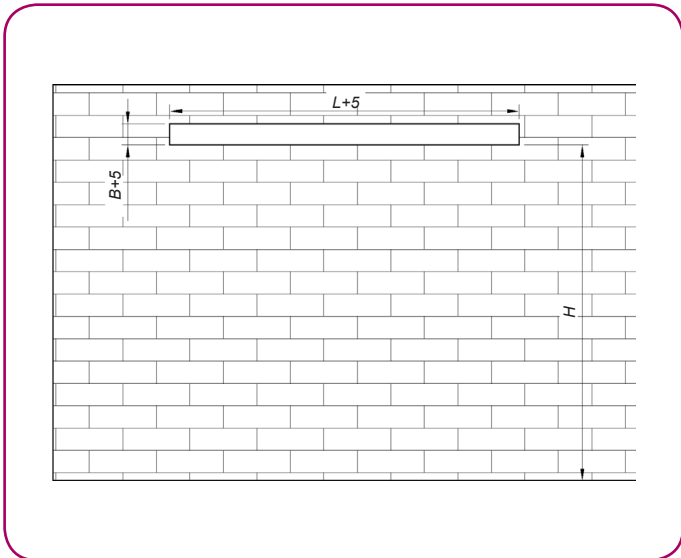
DF-LIT-E 3.0

Mounting instructions

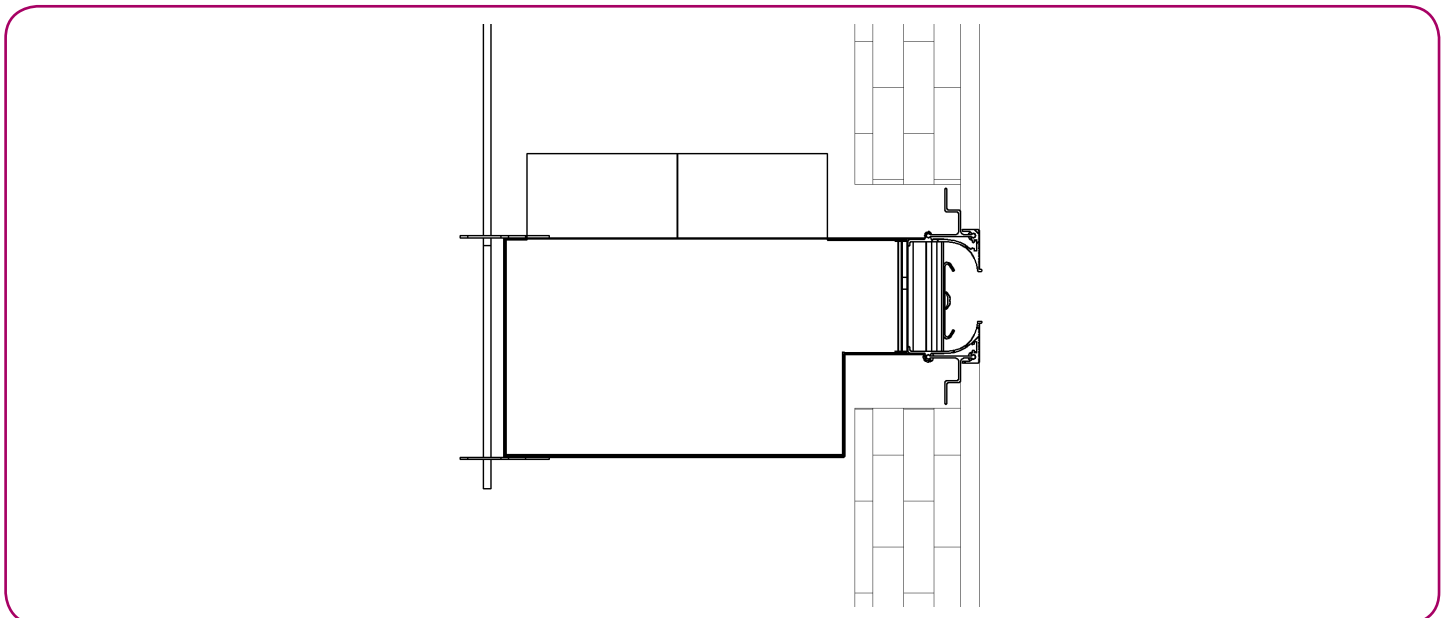
OPTION D: INSTALLATION IN BRICK+PLASTERBOARD WALL (DIFFUSER + PLENUM)

1.- Mark the diffuser wall installation height and create opening in the brick wall with dimensions $(L+5) \times (B+5)$.

2.- Install plasterboard sheet with hole. Once installed, use the hole in the brick wall as reference to make a hole in the plasterboard with dimensions $(L+5) \times (A+3)$ centred on the hole in the brick wall.

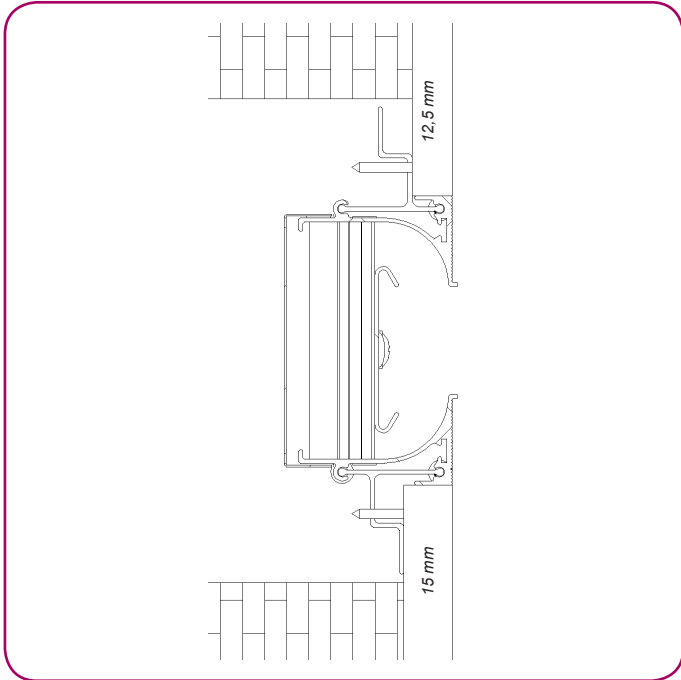


3.- Support the diffuser on plasterboard as shown in the figure. If a plenum is used, fix using threaded drop rods and lugs at the rear of the plenum.

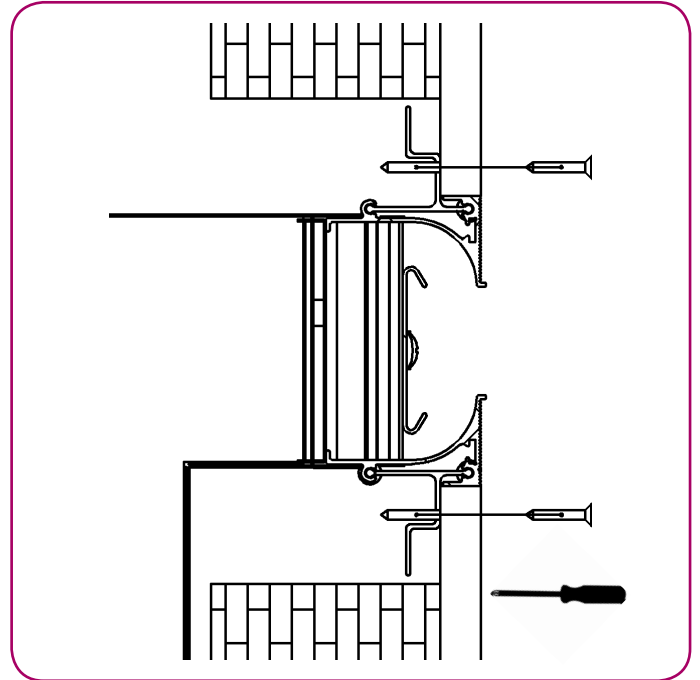


DF-LIT-E 3.0 Mounting instructions

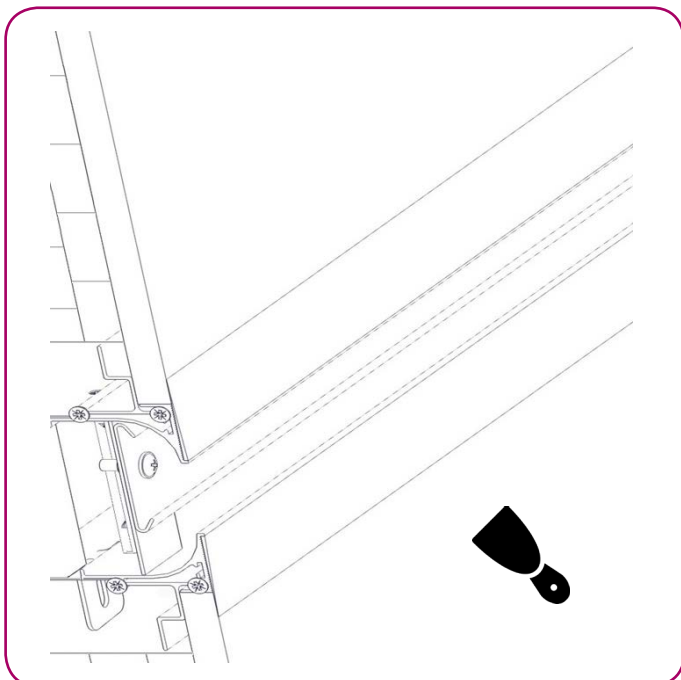
4.- The mounting/line formation frame allows the diffuser to be supported in 12.5 and 15 mm thickness plasterboard.



5.- Gently support the diffuser and screw plasterboard to the mounting frame.



6.- Tape the lower surface of the diffuser for subsequent filling with a thick paste. Finish with a fine paste.



THIS CATALOG IS INTELLECTUAL PROPERTY.

The partial or total reproduction of its contents is forbidden without the express and authoritative authorisation of KOOLAIR, S.L.

KOOLAIR

KOOLAIR, S.L. (Spain)

Calle Urano, 26

Polig. Ind. nº 2 – La Fuensanta

28936 Móstoles (MADRID)

Tel: +34 91 645 00 33

Fax: +34 91 645 69 62

e-mail comercial: comercial@koolair.com

e-mail Koolair: info@koolair.com

www.koolair.com

Koolair, S.L. reserves the right to change publisher datas and drawings at any time without prior notice written.